



**BREATHE EASY...Solutions for Clean, Safe Air**

# MICRO AIR RP2 DUST COLLECTOR

## Specifications and Technical Data

### TYPICAL APPLICATIONS:

- WELD SMOKE AND FUMES
- GRINDING / POLISHING DUST
- POWDERS
- BLASTING OPERATION



### STANDARD FEATURES:

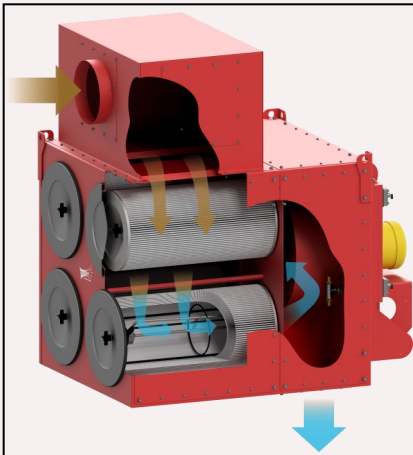
- REVOLUTIONARY ROTO-PULSE® FILTER CLEANING SYSTEMS
- ENERGY EFFICIENT EPACT MOTOR
- LONG LIFE VALVE SYSTEM
- LARGE CAPACITY DUST DRAWER
- BUILT-IN PLUG FANS, 3 HP, 3-PHASE, 60 HZ
- MOTOR STARTER/OVERLOAD PROTECTION STANDARD CONTROL PACKAGE
- AFTER PULSE CLEANING CYCLE STANDARD
- HEAVY DUTY CONSTRUCTION
- FULL RANGE OF OPTIONS
- BEST INDUSTRY WARRANTY

### OPTIONS:

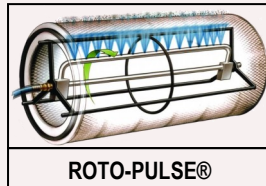
- HOPPER SETUP WITH LONG LEGS AND BARREL LID KIT.
- LOW PROFILE UNIT WITH DUST DRAWERS.
- SILENCER.— STRAIGHT EXHAUST
- SILENCER—UPBLAST EXHAUST
- HEPA AFTERFILTER— UPBLAST EXHAUST
- VARIETY OF CARTRIDGE FILTER OPTIONS.
- 5HP, PLUG FAN, 3-PHASE, 60 HZ, FOR HIGH STATIC APPLICATIONS
- SPARK ARRESTOR
- MAGNAHELIC OR PHOTOHELIC GAUGES.
- INTELLI-TOUCH ENERGY SAVING CONTROLS
- 6" DIA. OR 8" DIA. INLET COLLAR LOCATED AT TOP OR FRONT OF CABINET

### HOW IT WORKS:

Contaminated air is pulled into the inlet collar at the top or front of the RP2 Cabinet, then travels down through the cartridge filter section, where the contaminant is filtered and dropped into the hopper or dust drawer.

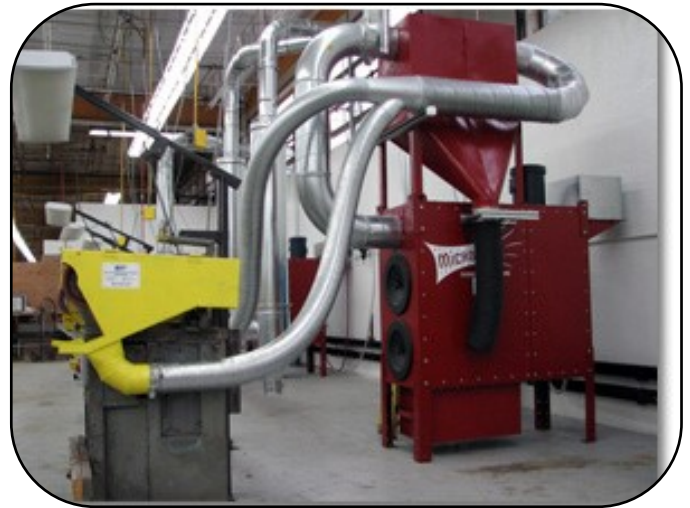


Breathe Easy, clean safe air is exhausted out the bottom of the unit. Cartridge cleaning is accomplished with Micro Air's proprietary Roto-Pulse® cleaning system, where air is



ROTO-PULSE®

pulsed into a specially designed stainless steel, rotating tube, engineered with pre-drilled holes. As the air enters this tube, the force of the pulse causes the tube to rotate incrementally inside the cartridge. While rotating, air exits the pre-drilled holes, re-



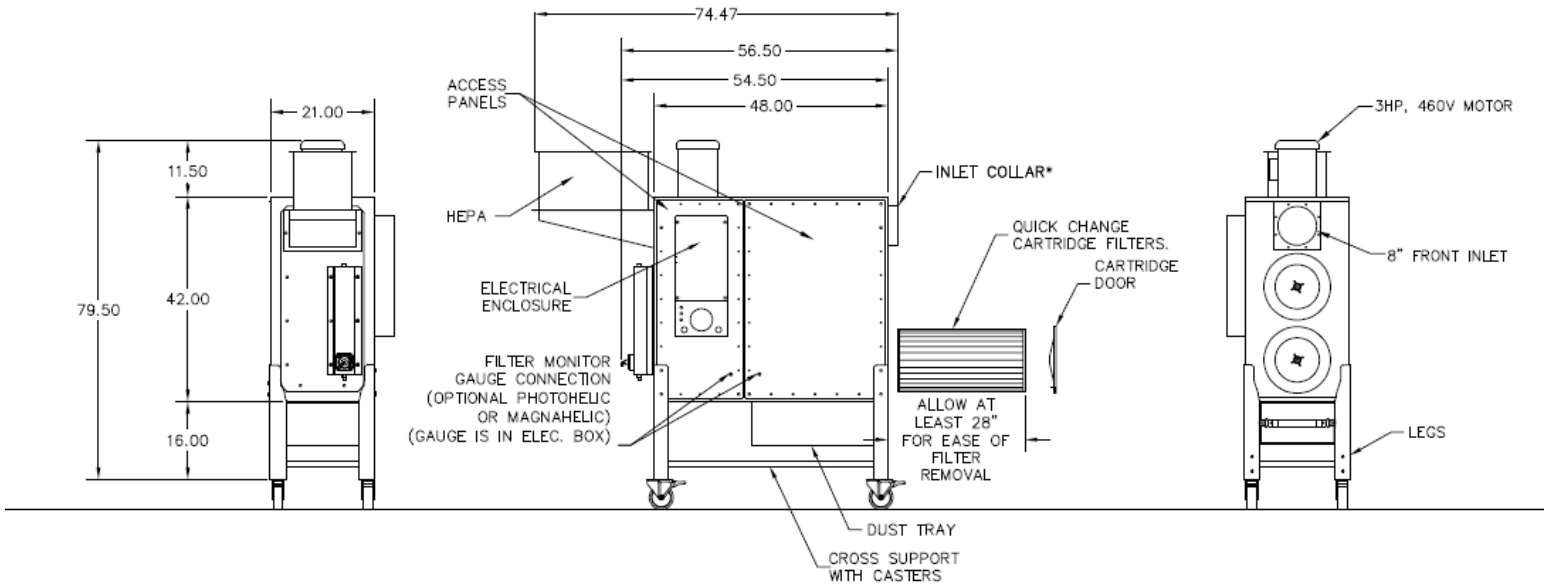
### RP2 with Spark Arrestor Ducted to Buffing / Polishing Operations

sulting in air dispersement over the entire surface of the cartridge, providing for an improved cartridge cleaning cycle, compared to competitive backflush cleaning systems.

L2252-RP2-05/22



# RP2



## RP2 EQUIPPED WITH SHORT LEGS/DUST TRAY—UPBLAST HEPA AFTERFILTER

### RP2 SPECIFICATIONS:

**OVERALL DIMENSIONS:**

79" H X 21" W X 48" D WITH SHORT LEGS / DUST TRAY  
 96" H X 21" W X 48" D WITH LONG LEGS / HOPPER

**WEIGHT:**

\*800 LBS ACTUAL WEIGHT  
 \*850 LBS SHIPPING WEIGHT  
 \*WEIGHT VARIES DEPENDING ON OPTIONS SELECTED

**CABINET:**

HEAVY DUTY 14 GAUGE GALVANEAL STEEL WITH EXTERIOR SURFACES GROUND SMOOTH

**FINISH:**

INDUSTRIAL GRADE CRIMSON RED, TEXTURED BAKED ENAMEL PAINT IN SIDE AND OUT. OPTIONAL EPOXY COAT INSIDE & OUT AVAILABLE

**FILTER ACCESS:**

EASY FRONT ACCESS THROUGH FILTER CAPS

**MOTOR**

SINGLE SPEED, 3 HP, 3 PHASE, 208-230/460V, 60 HZ, TEFC MOTOR. OPTIONAL 5 HP, AVAILABLE FOR HIGH STATIC APPLICATIONS

**BLOWER:**

DIRECT DRIVE, HIGH STATIC, BACKWARD INCLINED IMPELLER

**AIR VOLUME:**

3 HP—1,200 CFM—CONSULT FAN CURVES FOR SPECIFICS  
 5 HP—2,100 CFM—CONSULT FAN CURVES FOR SPECIFICS

**FILTER CHANGE INDICATOR:**

MAGNEHELIC GAUGE OR PHOTOHELIC GAUGE

**FILTRATION:**

TWO EA. HIGH EFFICIENCY, 80/20 BLEND, FIRE-RETARDANT CARTRIDGE FILTERS, 174 SF MEDIA PER FILTER, 348 SF TOTAL MEDIA  
 \*MULTIPLE CARTRIDGE MEDIA OPTIONS AVAILABLE

**CONTROLS:**

SOLID STATE TIMER BOARD, FACTORY WIRED AND INSTALLED, MOTOR STARTER/OVERLOAD PROTECTION STANDARD

**INLET / EXHAUST:**

6" OR 8" DIA INLET COLLAR, LOCATED FRONT OR TOP  
 EXHAUST - OUT BOTTOM OF UNIT / UPBLAST TRANSITION AVAILABLE

**MAX CURRENT**

3 HP, 230/460V—9.6 / 4.8 AMP  
 5 HP, 230/460V—15.0 / 7.5 AMP

**NOISE LEVELS:**

3 HP—75 dBA @ 5' FROM EXHAUST  
 5 HP—81 dBA @ 5' FROM EXHAUST / 74 dBA @ 5' WITH SILENCER

**WIND LOAD RATING:**

100 MPH

**CABINET PRESSURE RATING:**

+/- 20 INCHES WC

**COLLECTION OPTIONS:**

DUST TRAY WITH SHORT LEGS / HOPPER WITH LONG LEGS

**COMPRESSED AIR:**

REQUIRES 80—90 PSI CLEAN, DRY AIR & MINIMUM 3/4" AIR LINE

**CARTRIDGE CLEANING SYSTEM:**

ROTO-PULSE® ROTATING TUBE WITH PRE-DRILLED HOLES. AS AIR IS PULSED INTO THE TUBE, IT ROTATES AND AIR EXITS THE PRE- DRILLED HOLES, PROVIDING A HIGHLY EFFICIENT AND TOTAL CLEANING OF THE CARTRIDGE FILTER

**OFF-LINE CARTRIDGE CLEANING:**

STANDARD EQUIPMENT DESIGNED TO CLEAN FILTERS AFTER UNIT IS TURNED OFF FOR OPTIMAL OFF-LINE CARTRIDGE CLEANING. TIMER CAN BE ADJUSTED BETWEEN 0 AND 17 MINUTES

SPECIFICATIONS SUBJECT TO CHANGE WITHOUT NOTICE