



BREATHE EASY...Solutions for Clean, Safe Air

OM550DD

Specifications and Technical Data

TYPICAL APPLICATIONS:

SOURCE CAPTURE OF:

- MACHINE MOUNT FOR OIL MIST AND SMOKE CAPTURE
- SMALL DRY DUST APPLICATIONS
- REMOTE CAPTURE WITH 6" HOSE

STANDARD FEATURES:

- 600 CFM NOMINAL
- EXCLUSIVE MIST-X OIL MIST FILTRATION
- MULTI-STAGE FILTRATION
- SIDE LOAD EASY FILTER ACCESS
- HEAVY DUTY DIRECT DRIVE BLOWER
- 6" DIA. INLET SIZE
- POSITIVE SEALING CABINET
- 3-STAGE FILTRATION
- BUILT IN OIL DEFLECTOR

- ANGLED INLET PLENUM TO FACILITATE COOLANT DRAINAGE
- SLOTTED RAILS FOR EASY FILTER INSTALLATION

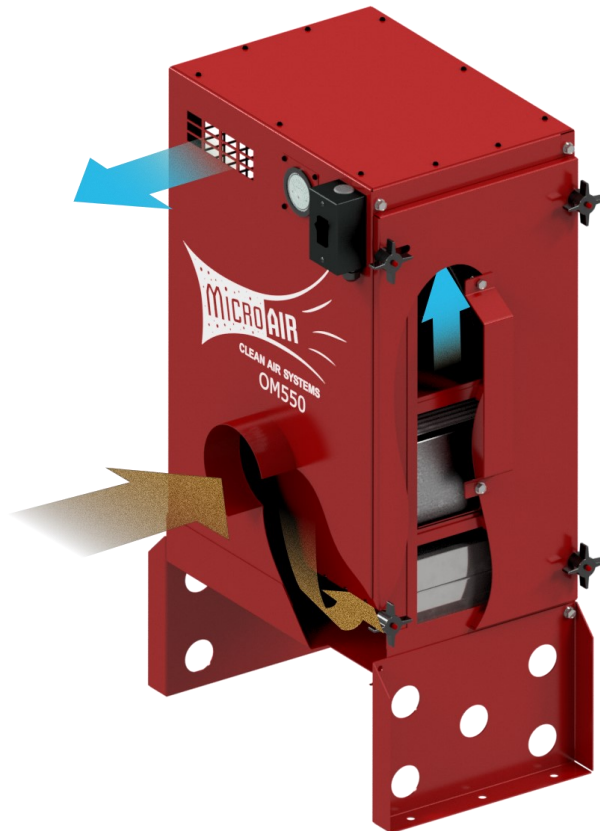
OPTIONS:

- FLOOR STAND
- HEPA OR CARBON AFTER-FILTERS
- 3/4 HP, 120V SINGLE PHASE
- 3/4 HP, 220V SINGLE PHASE
- 3/4 HP, 208-230/460V THREE PHASE
- MINIHELIC GAUGE—0" TO 5"



HOW IT WORKS:

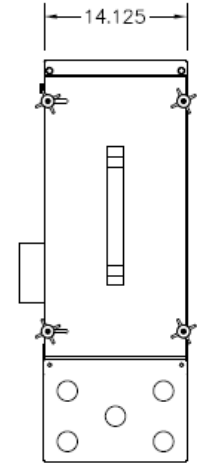
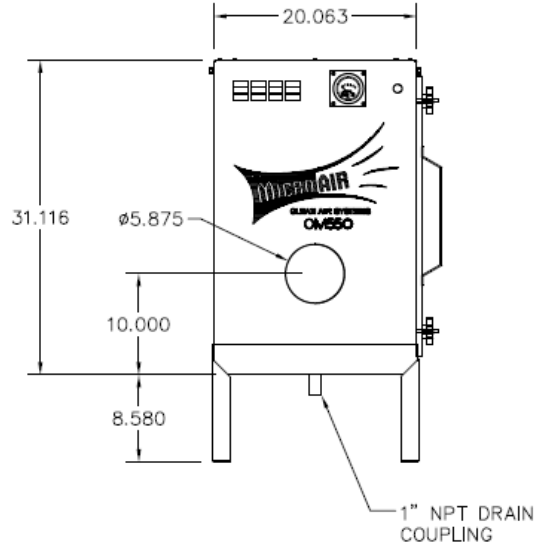
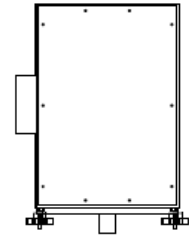
Mist laden air flows through the front inlet where it turns 90 degrees. The air then travels upward through the pre-filter section and through the 6" high efficiency mist filter. Clean air is then discharged at the front, rear, and left sides near the top of the unit.



L2249-OM550DD-09/21



OM550DD



OM550DD SPECIFICATIONS:

OVERALL DIMENSIONS:

31" H X 20.5" W X 14" D (WITHOUT MOUNTING BRACKETS)
 340" X 20.5 W X 14" D (WITH MOUNTING BRACKETS)

WEIGHT:

*135 LBS ACTUAL WEIGHT
 *160 LBS SHIPPING WEIGHT
 *WEIGHT VARIES DEPENDING UPON OPTIONS SELECTED

CABINET:

HEAVY DUTY 16 GA. WELDED GALVANEAL STEEL W/EXTERIOR SURFACES GROUND SMOOTH

FINISH:

INDUSTRIAL GRADE TEXTURED BAKED
 CRIMSON RED ENAMEL PAINT—INSIDE AND OUT

***PREFILTER OPTIONS:**

- 9.5" X 19.38" X 3" MIST-X (CHEVRON) PRE-FILTER
- 9.5" X 19.38" X 2" BAFFLE PRE-FILTER
- 9.5" X 19.38" X 2" MESH PRE-FILTER
- 9.5" X 19.38" X 1" MESH PRE-FILTER
- 9.5" X 19.38" X 2" MAXI-GRID PRE-FILTER (PINK SCRIM)

* SELECT ANY COMBINATION UP TO 4" TOTAL

STANDARD PRIMARY FILTER OPTIONS:

9.5" X 19.38" X 5.86" 95% ASHRAE FILTER

FILTER ACCESS:

SIDE LOAD THROUGH REMOVEABLE ACCESS PANEL

NOISE LEVEL:

66 dBA @ 5" FROM EXHAUST

INLET

6" DIA. COLLAR ON LOWER FRONT OF UNIT

MOTOR OPTIONS:

3/4 HP, 120V SINGLE PHASE, TEFC

BLOWER:

DIRECT DRIVE, HEAVY DUTY FORWARD INCLINED WHEEL

AIR VOLUME:

600 CFM NOMINALLY RATED

ELECTRICAL:

120V, SINGLE PHASE, 60 HZ, CORD WITH PLUG
 208/230V SINGLE PHASE, NO PLUG
 208.230/460B, 3 PHASE UNITS REQUIRE MOTOR STARTER AND OVERCURRENT PROTECTOR, SUPPLIED BY OTHERS

MAX CURRENT

3/4 HP, 120V SINGLE PH—10 AMP
 3/4 HP 230V SINGLE PH—5.0 / 2.5AMP
 3/4 HP 208-230/460V, 3 PH—2.8-2.4/1.2 AMP

FILTER CHANGE INDICATOR OPTIONS:

0-5" MINIHELIC GAUGE

OIL DRAIN:

1" NPT PIPE COUPLING, FEMALE THREAD

MOUNTING:

MACHINE MOUNT BRACKETS STANDARD / REVERSE BRACKETS FOR HANGING

SPECIFICATIONS SUBJECT TO CHANGE WITHOUT NOTICE