

MICRO AIR

AIR CLEANERS



MODEL MT1251 / MT1252

OWNER'S MANUAL

CAUTION

**READ COMPLETE INSTRUCTIONS BEFORE OPERATING.
PLEASE FILE FOR FUTURE REFERENCE.**

MODELS MT 1251 / 1252

SPECIFICATIONS

Input Volts, 120 Volts, 60Hz
220 Volts, 50/60 Hz.

Max. Current:

Draw-120 V. 6.5 amps (High)
4.0 amps (Low)
230 V. 3.3 amps (High)
2.0 amps (Low)

Dimensions: 14" h. x 24 1/2" w. x 32 3/4" l.

Shipping Wt.: 130lbs.

Actual Wt.: 120 lbs.

PRE-OPERATING INSTRUCTIONS

1. Upon receipt, remove the unit from carton(s). Remove plastic wrap. Inspect the unit for any freight damage that may have occurred during shipping. Report any damage to the freight company.
2. To gain access to filters, turn captive screw latch on filter access covers counter-clockwise until cover can be pulled free from cabinet. Remove covers from cabinet.
3. If the unit contains one or two refillable charcoal modules, (RCM), remove each module from the unit by loosening the wing bolts that retain the modules, and pulling the module out. Remove the top cover of RCM to allow access to fill RCM with charcoal provided. (See Fig. 1.) Replace the top cover and re-install the modules into the unit, and tighten wing bolts. (Retain any additional charcoal for future use.)
4. Replace access doors onto the unit, and tighten latch.

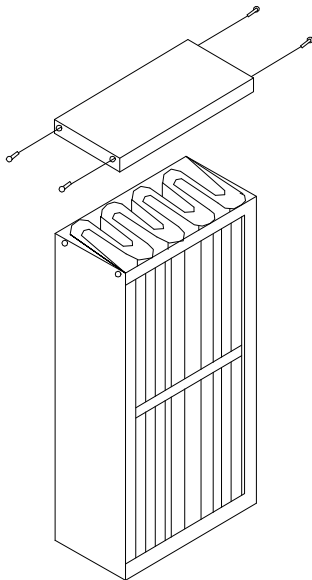


FIG. 1

INSTALLATION INSTRUCTIONS

1. Remove the four (4) 1/4-20 threaded bolts from the corners located on the top or bottom of the unit. (Note: the MT1251/MT1252 is designed to work equally well, whether suspended from the top or bottom.) If the unit is installed upside down, the doors can be interchanged, so that the logo reads correctly.
2. Using the mounting hardware kit provided, screw two (2) hex nuts onto each eyebolt, then put eyebolt assembly into each hole from step 1. Tighten the nuts together to prevent loosening by vibration. The unit is now ready to be installed in an appropriate location. (See FIG. 2.)

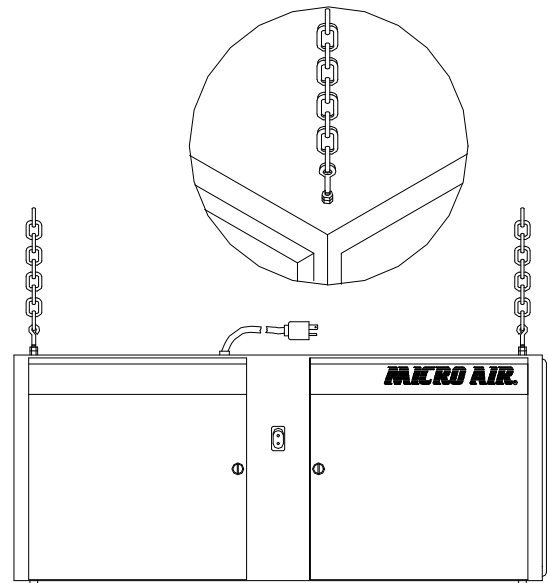


FIG. 2

CAUTION: USE WIRE OR CHAIN SUFFICIENT TO SUPPORT THE WEIGHT OF UNIT (120LBS.). HANG FROM STRUCTURAL SUPPORTS.

NOTE: IF UNIT IS TO BE INSTALLED ON BRACKETS AGAINST A WALL, USE BRACKETS THAT ARE SUFFICIENT TO HOLD THE UNIT. INSTALL BRACKETS SECURELY TO THE WALL.

ELECTRICAL INSTALLATION

CAUTION: DISCONNECT ELECTRICAL POWER BEFORE PROCEEDING WITH INSTALLATION.

MT1251

1. Plug power cord into nearest outlet rated at nameplate voltage. Unit is ready to run.

NOTE: For Wiring Diagram, see FIG. 4.

MT1252 (Above ceiling applications):

1. A remote wall switch is standard with the MT1252. The unit is installed by suspending above the ceiling, installing remote switch to nearby wall, and running wires from the remote switch to the MT1252. Once wiring is complete, connect name plate voltage to center terminals of the 2-speed switch. Unit is then ready to run. (See detailed installation instruction supplied with remote switch kit.)
2. The multi-speed motor which comes standard with the MT1251/MT1252 can easily be rewired to obtain a variety of air flows. The standard configuration from the factory is the following:

MOTOR WIRE COLOR	
	Black (High) ← MT1252 High Spd.
MT 1251 High Spd. →	Blue (M/High)
	Orange (M/Low) ← MT 1252 Low Spd.
MT 1251 High Spd. →	Red (Low)

The MT1251 motor speeds can be re-wired by disconnecting the wire presently to the switch and connecting an alternate wire. For example, to increase the MT1251 CFM, disconnect the blue motor wire from switch and connect the black motor wire in its place.

The MT 1252 is direct-wired to motor at the time of installation. Therefore, you can choose any combination of speeds. Black and orange are the recommended tap selections. (Refer to remote switch instructions.)

ABOVE CEILING INSTALLATION

1. The MT1252 comes standard with a set of rectangular plenums that include a 14" diameter collar (AM-14) to connect to flexible duct above ceiling. Upon installing the MT1252, follow the instructions included with the AM-14 plenum kit. The completed installation should look like the following diagram. (See **FIG. 3**.)

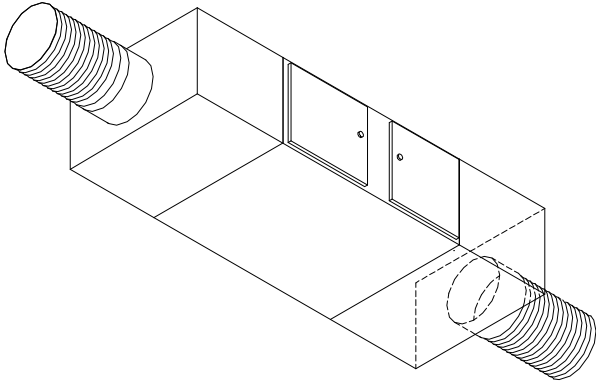


FIG. 3

2. As noted in the electrical installation section, use the standard remote wall switch to control the operation of the MT1252. Instructions are with kit. (Note: An optional remote switch kit is available for the MT1251, Kit #34188-01).

FILTER REPLACEMENT

CAUTION: BE SURE UNIT IS OFF OR UNPLUGGED BEFORE SERVICING.

1. Remove filter access doors. (Refer to Step 2, Pre-Operating Instructions)
2. Remove foam mesh prefilter. Wash prefilter in a mild detergent. Rinse thoroughly and press excess water from filter using a towel or cloth. Do likewise with the foam mesh after filter if required.

3. When cleaning the prefilter, inspect the HEPA filter(s) if the unit has one or two filters. (Not applicable with charcoal filters.) If necessary, replace with new filter(s). See parts list for filter part number.
- NOTE:** The filters may be dust laden, therefore care is suggested during removal.
4. After approximately 6 months use, the refillable charcoal module(s) will need to be refilled with new charcoal (or activated alumina). To refill, remove top cover of RCM-6 (retained by four (4) screws), empty RCM-6 and refill. Shake the RCM-6 to allow for settling and refill to the top. Replace top cover back onto RCM-6. (See **Fig. 1**.)
 5. Whenever servicing filter, remember to tighten wing bolts that retain filters. Once installed, this will insure a total seal against filter and cabinet flange to eliminate contaminated air bypass.

SERVICE

1. Always be sure that unit is off before performing any service to the air cleaner. See wiring diagram attached to the inside of filter access cover for electrical reference.

CAUTION: THIS PRODUCT DOES NOT CONTAIN INTERLOCK SWITCHES FOR INTERRUPTION OF POWER TO THE UNIT WHEN ACCESS COVERS ARE REMOVED. PRIOR TO SERVICING ANY ELECTRICAL PORTION OF THE AIR CLEANER, DISCONNECT POWER TO UNIT FROM WALL OUTLET OR BREAKER SWITCH.

2. Remove filter access doors. (Refer to Step 2, Pre-Operating Instructions.)
3. To service filters, follow steps outlined in Filter Replacement Instructions.
4. If motor or blower requires servicing, remove from unit. The blower is secured to cabinet by four (4) 5/16" hex nuts. Disconnect motor wires from unit and remove 5/16" hex nuts so that motor/ blower assembly can be removed from the unit.
5. Upon repairing motor/ blower assembly (see parts list for motor and blower part numbers) install into unit. Reconnect motor wires and secure blower to cabinet using the 5/16" hex nuts.

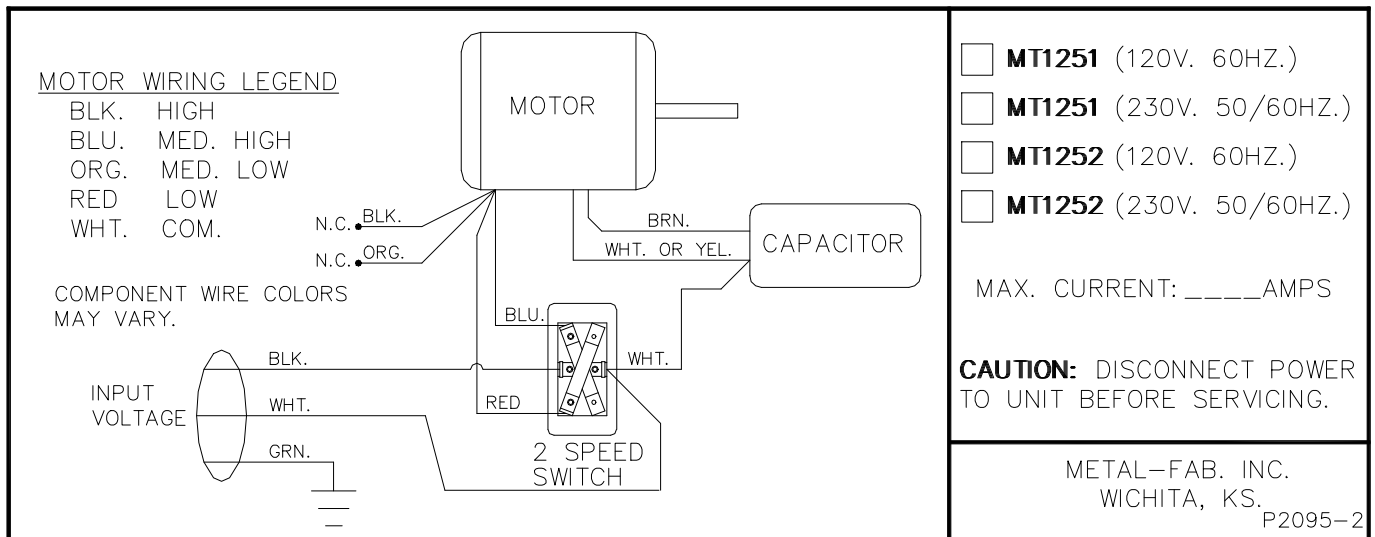


FIG. 4

MICRO AIR

AIR CLEANERS

MT1251/MT1252 PARTS LIST

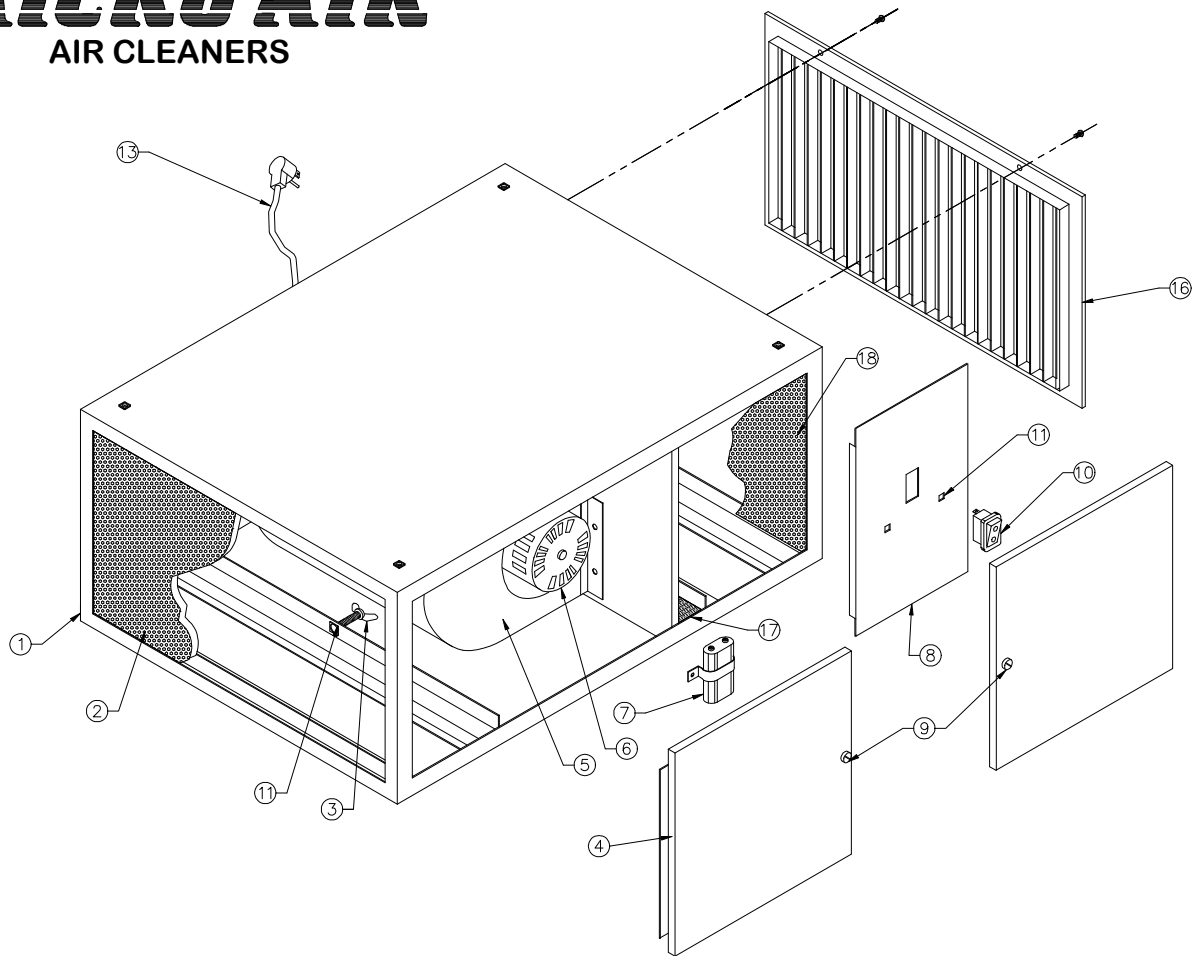


FIG. 5

ITEM	PART NO.	DESCRIPTION	ITEM	PART NO.	DESCRIPTION
1.	34176-01	Cabinet Weldment	10.	P1296	2 speed switch
2.	P1447	Foam Prefilter	11.	P216	Captive Nut
3.	P1876	Filter Retaining Wing Bolts	12.	*P2090	Logo (not shown)
4.	34182-01	Filter Access Door (2 ea.)	13.	P1363	Cord Set (MT 1251 Only)
5.	34186-01	Blower Assembly	14.	P1954	Strain Relief (MT1251 Only) (not shown)
6.	P2073	Motor (120 V.)	15.	P2091	Door Gasket (not shown)(specify Length)
	P2088	Motor (230 V.)	16.	P2092	Exhaust Grille (MT 1251 Only)
7.	P1469	Capacitor	17.	34187-02	Acoustic Foam (Bottom/Top)
8.	34179-01	Electrical Control Panel		34187-03	Acoustic Foam (Back Wall)
9.	P298	Door Latch (2 ea.)		34187-01	Acoustic Foam (Blower Wall)
			18.	P2096	Foam Afterfilter
			19.	33684-02	AM-14 Plenum Assy. (not shown) (MT1252 Only)
				33683-02	AM-10 Plenum Assy. (not shown) (MT1252 Only)
			20.	34188-01	Remote Switch Kit (120 V.) (MT1251) (not shown) Switch not included
				34188-02	Remote Switch Kit (230 V.) (MT1252) (not shown) Switch included

AVAILABLE FILTERS

P2093	6"x12"x24" HEPA Type
34192-01	6"x12"x24" RCM-6 Empty
P1443	6"x12"x24" HEPA 95% DOP
P1625	6"x12"x24" HEPA 99.997% DOP

ACCESSORIES

MT 1251	Remote Switch Kit		34188-01
AM-14	Plenum Kit	1 ea. 14" collars	33684-02
AM-10	Plenum Kit	2 ea. 10" collars	33683-02

* Filter Access Door is without logo. Order Item 12 when ordering one or two filter access doors.

MICRO AIR®

AIR CLEANERS

PRODUCTS OF METAL-FAB, INC.
P.O. BOX 1138, WICHITA, KS 67201
(316) 943-2351 • FAX (316) 943-2717